



Linde Material Handling

*Linde*



## Pallet Stacker

# D10 FP

Capacity 1.0 t | Series 1163

### Maneuverable and twice as strong

- Load capacity up to 2000 kg for two pallets (1 t/1 t)
- 720 mm wide chassis and power steering ensure high maneuverability
- Optimized speed for fast load transport
- Steel chassis protects the driver in minor collisions
- Independent braking systems with dead man's switch for protection of driver and load

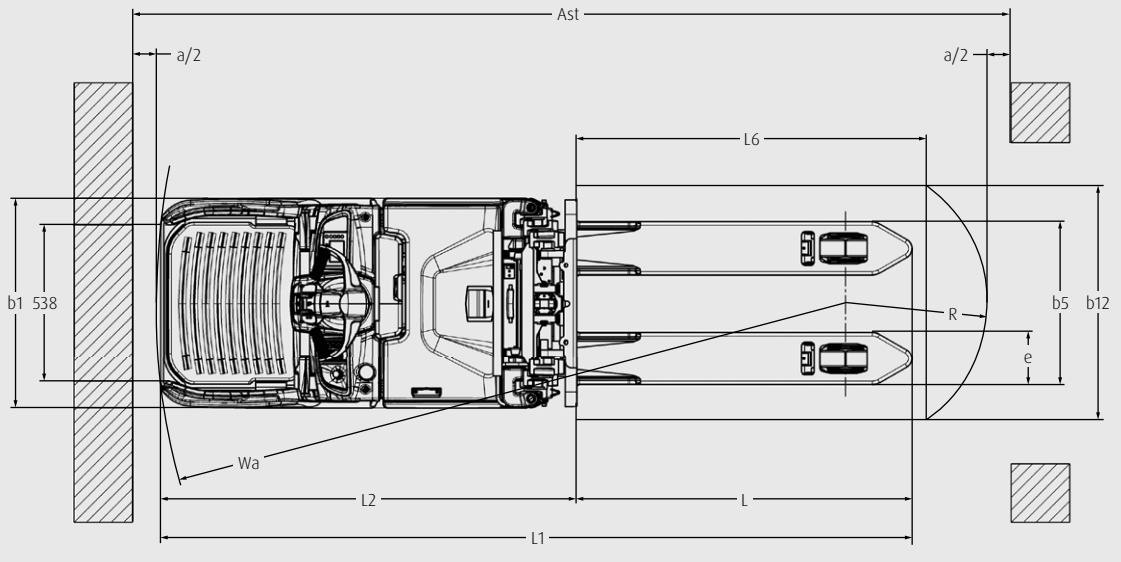
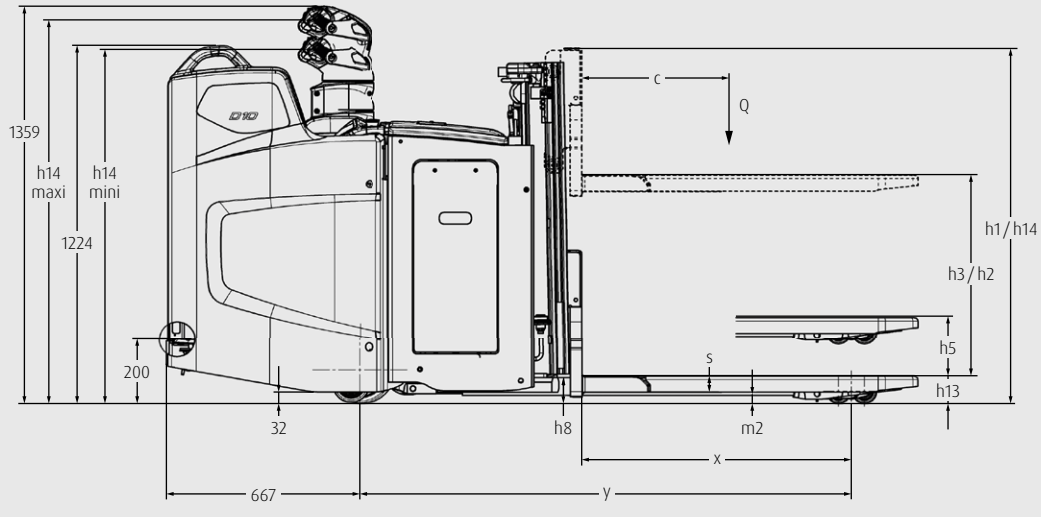
# TECHNICAL DATA (According to VDI 2198)

Characteristics	1.1	Manufacturer		Linde
	1.2	Model		D10 FP
	1.2.a	Series		1163-01
	1.3.	Power Unit		Battery
	1.4	Operation		Stand on
	1.5	Load capacity/Load (Lp only; LP/Li; Li only)	Q (t)	1.2; 1.0/1.0; 2.0
	1.6	Load centre distance	c (mm)	600
	1.8	Axle centre to fork face	x (mm)	952 <sup>3)</sup>
	1.9	Wheelbase	y (mm)	1680 <sup>3)</sup>
Weights	2.1	Service weight	(kg)	1336 <sup>2)</sup>
	2.2	Axle load with load, front/rear	(kg)	1373/1963 <sup>3)</sup>
	2.3	Axle load without load, front/rear	(kg)	1033/303 <sup>1)</sup>
Wheels/Tyres	3.1	Tyres rubber, SE, pneumatic, polyurethane		R + P/P
	3.2	Tyre size, front		Ø 230 × 90/230 × 100
	3.3	Tyre size, rear		Ø 85 × 85 (boggies 85 × 60)
	3.4	Auxiliary wheels (dimensions)		Ø 2 × 125 × 60
	3.5	Wheels, number front/rear (x = driven)		1x + 2/2(1x + 2/4)
	3.6	Track width, front	b10 (mm)	502
	3.7	Track width, rear	b11 (mm)	380
Dimensions	4.2	Height of mast, lowered	h1 (mm)	See Table
	4.3	Free lift	h2 (mm)	See Table
	4.4	Lift	h3 (mm)	See Table
	4.5	Height of mast, extended	h4 (mm)	See Table
	4.6	Initial lift	h5 (mm)	125
	4.9	Height of tiller arm in operating position, min/max	h14 (mm)	1000/1100
	4.10	height of wheel arms	h8 (mm)	80
	4.15	Height at the end of the fork	h13 (mm)	86 <sup>3)</sup>
	4.19	Overall length	l1 (mm)	2545 <sup>4)</sup>
	4.20	Length to fork face	l2 (mm)	1395 <sup>4)</sup>
	4.21	Overall width	b1 (mm)	720
	4.22	Dimension of fork arms	s/e/l (mm)	50/80/1150
	4.23	Dimension of load arms	s/e/l (mm)	75/150/1115
	4.24	Fork carriage width	b3 (mm)	710
	4.25	Width over forks	b5 (mm)	540/560
4.26	Internal width of the load arm	b4 (mm)	210/230	
4.32	Ground clearance, centre of wheelbase	m2 (mm)	20 <sup>3)</sup>	
4.33	Load dimension	b12 × l6 (mm)	800 × 1200	
4.34	Aisle width with pallet 800 × 1200 along forks	Ast (mm)	3005 <sup>4) 5)</sup>	
4.35	Turning radius fork up/down	Wa (mm)	2293/2363 <sup>4)</sup>	
Performance	5.1	Travel speed, with/without load	(km/h)	10/10 <sup>4)</sup>
	5.2	Lifting speed, with/without load	(m/s)	0.050/0.061
		Main lifting speed, with/without load		0.14/0.22
	5.3	Lowering speed, with/without load	(m/s)	0.102/0.082
		Main lowering speed, with/without load		0.488/0.197
	5.8	Maximum climbing ability, with/without load	(%)	20/15/12
5.9	Acceleration time, with/without load	(s)	5.1/6.4	
5.10	Service brake		Electro magnetic	
Drive	6.1	Drive motor rating S2 60 min	(kW)	2.3
	6.2	Lift motor rating at S3 10 %	(kW)	2.2
	6.3	Battery according to DIN 43 535		3 PzS SL
	6.4	Battery voltage/rated capacity (5 h)		24/375
			(V/Ah)	3 PzS SL Li-ION 205 Ah: 23/205 3 PzS SL Li-ION 410 Ah: 23/410
	6.5	Battery weight (± 10 %)	(kg)	290
		Battery and battery housing weight (± 10 %)	(kg)	3 PzS SL Li-ION 205 Ah: 23/190
		Battery and battery housing weight (± 10 %)	(kg)	3 PzS SL Li-ION 410 Ah: 23/229
6.6	Power consumption according to VDI cycle	(kWh/h)	0.483	
6.7	Turnover output	(t/h)	59	
6.8	Power consumption at turnover output	(kWh/h)	1.5	
Others	8.1	Type of drive unit		LAC
	10.7	Sound level at driver's ear	(dB(A))	62

1) Weight according to line 2.1  
2) With the battery line 6.5

3) Forks down  
4) Add 75 mm for 4 PzS

5) Forks up; Ast = Wa + R + a, safety distance a = 200 mm  
6) Other speeds available



# MAST TABLES

## STANDARD MAST (in mm)

Lift	h3: 1574		h3: 1724		h3: 2024		h3: 2424	
Height measurements	h1: 1240 h2: 150 h4: 2094	h1':1315 h3: 1574	h1: 1315 h2: 150 h4: 2244	h1':1390 h3: 1724	h1: 1465 h2: 150 h4: 2544	h1':1540 h3: 2024	h1: 1665 h2: 150 h4: 2944	h1':1740 h3: 2424
Model								
D10 FP	○		○		○		○	

## DUPLEX MAST (in mm)

Lift	h3: 1574		h3: 1724		h3: 2024		h3: 2424	
Height measurements	h1: 1240 h3: 1574	h2: 720 h4: 2094	h1: 1315 h3: 1724	h2: 795 h4: 2244	h1: 1465 h3: 2024	h2: 945 h4: 2544	h1: 1665 h3: 2424	h2: 1145 h4: 2944
Model								
D10 FP	○		○		○		○	

## TRIPLEX MAST (in mm)

Lift	h3: 2136	
Height measurements	h1: 1165 h3: 2136	h2: 645 h4: 2051
Model		
D10 FP	○	

○ Optional equipment

– Not available

**h1:** Height of mast, lowered

**h1':** Height of mast

**h2:** Free lift

**h3:** Lift

**h4:** Height of mast, extended

# STANDARD AND OPTIONAL EQUIPMENT

Model/Equipment		D10 FP
Safety	Key switch	●
	Pin code	○
	Lift end stop sensor	○
Digitalisation	Linde connect	○
	ac:access control PIN	○
	ac:access control RFID dual	○
	Data transfer Online	○
	Data transfer Wifi	○
	dt:crash detection	○
	an:usage analysis	○
	Bluetooth USB stick	○
	dt:trouble codes	○
Operation / Load Handling	Low speed if initial lift low	○
	Speed management	○
	Load backrest 800 mm	○
Environment	Cold store -35 °C (in/out)	○
Workplace	Fully suspended operator compartment	○
	Height adjustable console	○
	Front bow	○
	Front support data terminal	○
	Front power supply cable 24 V	○
	Front scanner support	○
	Working lamp	○
	Front clipboard	○
	Basic rounded display	●
Multifunction color display	○	
Mast	Wide variety of standard, duplex and triplex masts	○
	Mast protection polycarbonate and mesh	○
Attachment / Forks	Width over fork carriage 560 mm with fork length 1150 mm	●
	Width over fork carriage 540 mm with fork length 1150 mm	○
Axles and Tyres	Drive wheel polyurethane	●
	Drive wheel cushion rubber, cus. rubber with tread, non marking and wet grip	○
	Single load wheel polyurethane	●
	Single load wheel polyurethane (greasable)	○
	Tandem load wheel polyurethane and polyurethane greasable	○
	Castor wheels spring cylinder	●
Drive and Brake-System	Hydraulic castor wheel	○
	Battery compartment, vertical change 3 PzS (345/375 Ah) and 4 PzS (460/500 Ah)	○
	Battery compartment, lateral change 3 PzS and 3 PzS+door (345/375 Ah) incl. ergonomic bat. un/locking with lever	○
	Battery compartment, lateral change 4 PzS and 4 PzS+door (460/500 Ah) incl. ergonomic bat. un/locking with lever	○
	Battery compartment, Li-ION battery 4.5 kWh (205 Ah) and 9.0 kWh (410 Ah) with side plug for easy opportunity charging	○
	Automatic watering system	○
Li-ION 24 V chargers	○	

● Standard equipment ○ Optional equipment – Not available

# CHARACTERISTICS



Steel chassis to protect the driver

## Safety

- Steel chassis protects the driver in the event of a collision
- Independent braking systems protect driver and load
- Driver platform functions as dead man's switch
- Adapted cornering speed prevents tipping accidents



Ergonomic, height adjustable control handle

## Ergonomics

- Ergonomic handle for comfortable and precise handling
- Optional height adjustable control handle adapts to the driver
- Optional fully suspended operator's platform protects against vibrations and shocks
- Spacious storage compartments offer space for work equipment



Efficient transport of two pallets

## Handling

- Transport of two pallets with a combined load capacity of 2000 kilograms (1 t/1 t)
- Narrow design and electric power steering ensure maneuverability in confined spaces
- Powerful, low-maintenance motor for high acceleration and maximum speed
- Different mast types suitable for the respective task (maximum mast height: 2424 mm)



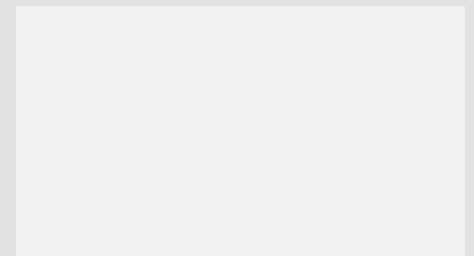
Easy access to all data with multifunction display

## Service

- CAN bus connection for fast analysis of vehicle data using a laptop computer
- Free access to relevant vehicle components facilitates maintenance
- Maintenance-free AC drive ensures short downtimes
- Digital instrument display for an overview of important data

Subject to modification in the interest of progress. Illustrations and technical details could include options and not binding for actual constructions. All dimensions subject to usual tolerances.

Presented by:



**Linde Material Handling GmbH**  
Carl-von-Linde-Platz | 63743 Aschaffenburg | Germany  
Phone + 49 6021 99 0 | Fax + 49 6021 99 1570  
www.linde-mh.com | info@linde-mh.com

Printed in Germany | 136.e.0,5.0720.lndB.se